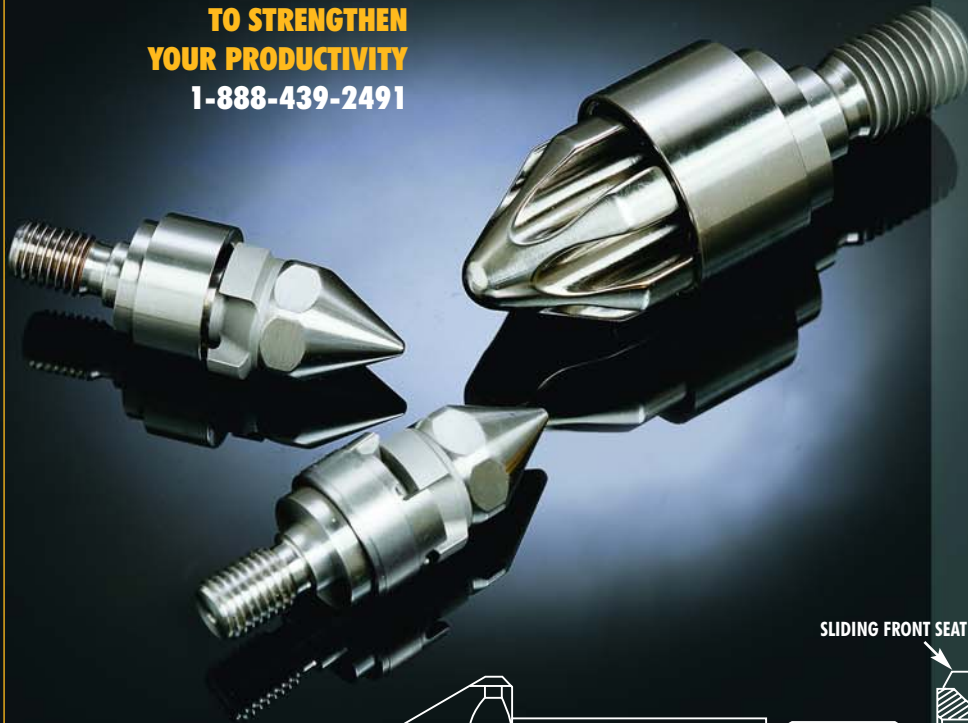


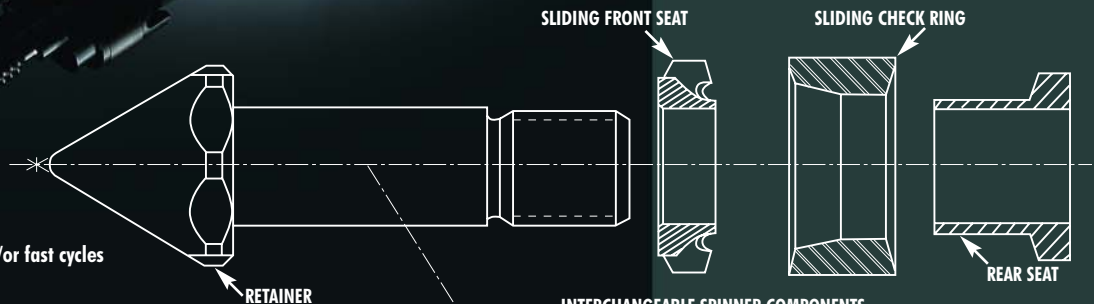
**CALL TOLL FREE
TO STRENGTHEN
YOUR PRODUCTIVITY
1-888-439-2491**



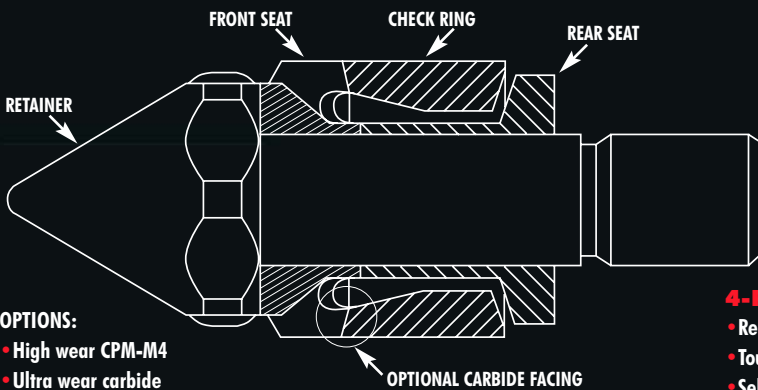
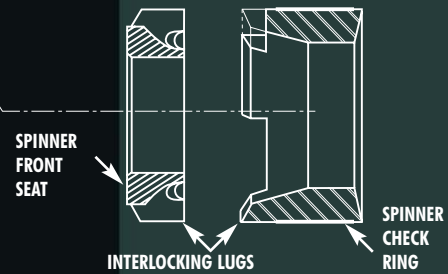
HIGH PERFORMANCE NON-RETURN RING VALVES

4-PIECE SPINNER™ VALVE

- For high screw speeds and/or fast cycles running unfilled resins
- Positive shut-off
- Check ring flow qualities
- Ball check valve replacement
- Interlocking check ring rotates with screw
- Rapid color change



INTERCHANGEABLE SPINNER COMPONENTS



OPTIONS:

- High wear CPM-M4
- Ultra wear carbide
- Corrosive resistant CPM440V
- High flow and low flow check rings
- Short stroke rear seats

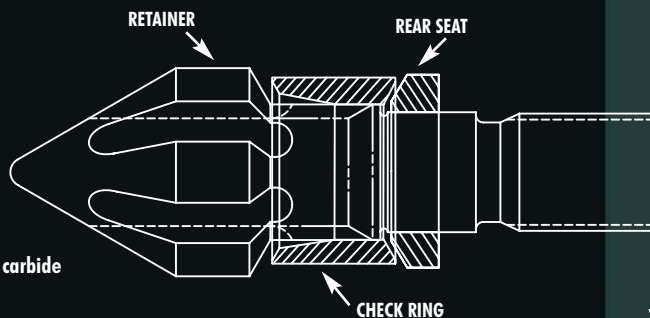
4-PIECE RING VALVE

- Replaceable wear components
- Tough reusable stainless steel retainer
- Self-cleaning design
- Advanced computer design technology

**UNCONDITIONAL
2 YEAR GUARANTEE
ON CARBIDE WEAR
SURFACES**

3-PIECE DESIGN

- Optional short stroke check ring free flow design
- Available in:
CPM9V
CPM9V nitrided
CPM9V titanium nitride/titanium carbide
HT3 nitrided
CPM440V



SERVTEK



We're there for you.

Wherever you are.

Whatever you do.

Wherever you go.

SERVTEK
4165 Halfacre Road • Batavia, OH 45103
service@servtek.com
1-888-439-2491 • fax: 513-536-2212

**MILACRON**
Plastics Technologies

**SERVTEK**