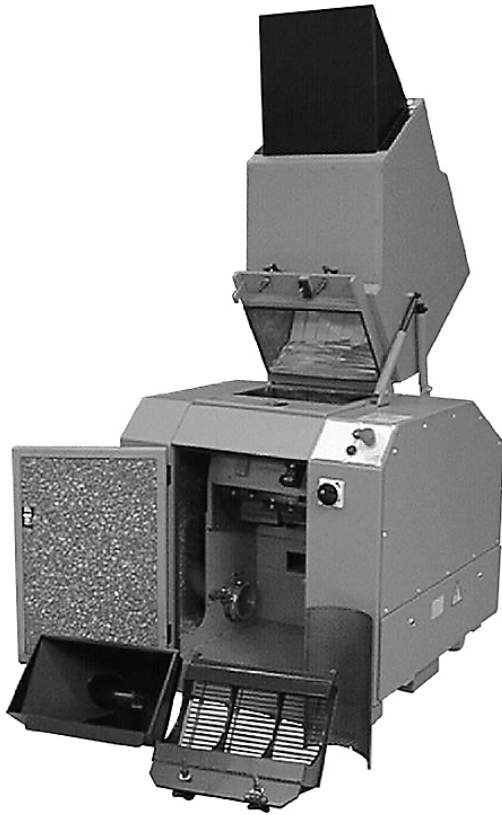


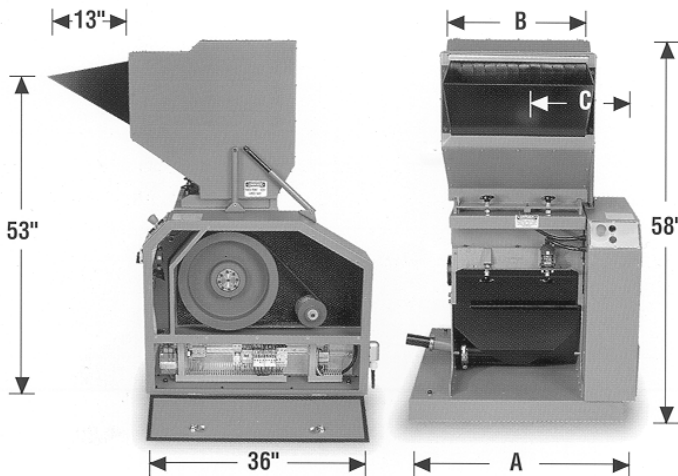
MFG Series Granulators



Standard Features

- Staggered rotor
- Cassette knives
- No knife adjustment
- D2 tool steel knives
- Scissor cut action knives
- Removable flaps
- Tilt-back hopper
- Drop down screen cradle
- Redundant Safety Switches
- TEFC Motor
- Reversible screen
- Flywheel Type Pulley
- Low infeed height
- Oversized Sealed Bearings
- Rotating end disc
- Low RPM motor
- Low noise level
- Compact design – minimum of floor space

Dimensions and Features



MODEL	A	B	C
MFG-10	27"	9.5"	14"
MFG-14	32"	14.25"	16"
MFG-19	36"	19"	18.5"
MFG-24	40.5"	23.6"	21.25"

	MFG-10	MFG-14	MFG-19	MFG-24
Rotor diam. (in)	7.8"	7.8"	7.8"	7.8"
Cutterhouse opening (in)	8" x 9.5"	8" x 14"	8" x 19"	8" x 24"
Capacity (lbs/hr.)	0-150	0-225	0-350	0-500



Milacron , LLC • 4165 Halfacre Rd • Batavia, Ohio 45103
 Tel (513) 536-2000 • Fax (513) 536-2321 • www.milacron.com

*Design and appearance subject to change without prior notice