



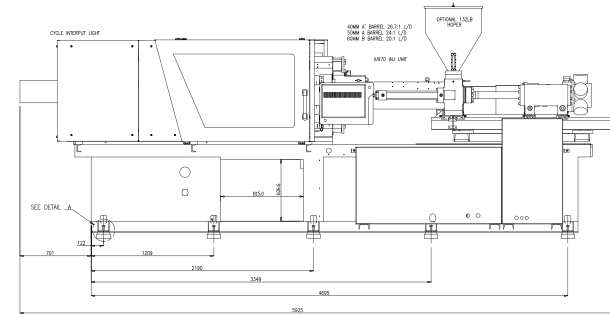
MAGNA

TOGGLE SERIES

Tonnage: 170

Frame Sizes:
630, 970

TECHNICAL SPECIFICATIONS



		630 Frame			970 Frame		
	ENGLISH METRIC	A	B	C	A	B	C
General							
Electrical Motor	hp kW	15 11.5			15 11.5		
Total Oil Capacity	gal L	110 415			110 415		
Water Supply (29°C Inlet Temp)	gal/min L/min	13.2 50			13.2 50		
Connected Load	kW	27.2			28.4		
Overall Dimensions (L x W x H)	ft m	19.4 x 6.5 x 7.5 5.6 x 1.95 x 2.3			19.4 x 6.5 x 7.5 6 x 1.97 x 2.3		
Machine Weight	lbs kg	15,696 7,120			16,755 7,600		
Injection Unit Specifications							
Injection Capacity, Maximum GPPS	oz gms	8.4 239	10.7 303	13.2 374	12.8 363	15.8 448	22.8 646
Theoretical Displacement	in ³ cm ³	15.3 251	19.4 318	24 393	23.3 382	28.7 471	41.4 679
Maximum Injection Pressure	psi bar	36,100 2,492	28,500 1,969	23,100 1,595	32,600 2,249	29,800 2,057	20,700 1,428
Injection Rate	in ³ /sec cm ³ /sec	6.5 107	8.2 135	10.2 167	6.4 105	7.8 129	11.3 186
Injection Velocity	in/sec mm/sec	3.3 85			2.6 66		
Screw Stroke	in mm	7.9 200			9.4 240		
Back Pressure Limits	psi bar	500 34.4			500 34.4		
Screw Diameter	in mm	1.57 40	1.77 45	1.97 50	1.77 45	1.97 50	2.36 60
Screw L/D Ratio	L/D	25	22.2	20	26.7	24	20
Screw Speed	rpm	222			188		
Screw Torque @172 bar	in-lb Nm	9,800 1,080			11,800 1,305		
Plasticizing Rate (GPPS)	oz/sec gm/sec	0.53 15	0.71 20	1.16 33	0.60 17	0.99 28	1.52 43
Number of Pyrometers (Barrel/Nozzle)	qty	4/1			4/1		
Total Heat Capacity	kW	15.7			16.9		

©2017 Milacron LLC. All Rights Reserved.
Pub Number: T4.1005.A.03.17

4165 Half Acre Rd.,
Batavia OH 45103
513.536.2000
info@milacron.com
www.milacron.com

		630 Frame			970 Frame		
	ENGLISH METRIC	A	B	C	A	B	C
Clamp							
Clamping Force	ton kN		168 1,500			168 1,500	
Opening Force	ton kN		16 150			16 150	
Clamp Stroke	in mm		17.3 440			17.3 440	
Clamp Close Velocity	in/sec cm/sec		25.5 650			25.5 650	
Clamp Open Velocity	in/sec cm/sec		21.6 550			21.6 550	
Eject Force (forward)	tons kN		4.9 44			4.9 44	
Eject Velocity (forward)	in/sec cm/sec		11.8 300			11.8 300	
Eject Velocity (retract)	in/sec cm/sec		11.8 300			11.8 300	
Ejector Stroke	in mm		5.1 130			5.1 130	
Mold Protect Pressure	psi bar		986 68			986 68	
Maximum Daylight	in mm		37.4 950			37.4 950	
Minimum Mold Height	in mm		5.9 150			5.9 150	
Maximum Mold Height	in mm		20.1 510			20.1 510	
Maximum Mold Weight	lbs kg		3,307 1,500			3,307 1,500	
Platen Size (H x V)	in mm		29.1 x 29.1 740 x 740			29.1 x 29.1 740 x 740	
Distance Between Tie Rods	in mm		20.1 x 20.1 510 x 510			20.1 x 20.1 510 x 510	
Tie Rod Diameter	in mm		3.3 85			3.3 85	
Dry Cycle Time (Euromap 6)	sec		2.5			2.5	

Notes

1) All machine dimensions and specifications are subject to change. Values are for reference only. All general assembly drawings or visuals included herein are for reference only. Please consult the general assembly drawing from a Milacron representative.



MAGNA

TOGGLE SERIES

Tonnage: 170

**Frame Sizes:
630, 970**

TECHNICAL SPECIFICATIONS

©2017 Milacron LLC. All Rights Reserved.
Pub Number: T4.1005.A.03.17

4165 Half Acre Rd.,
Batavia OH 45103
513.536.2000
info@milacron.com
www.milacron.com