



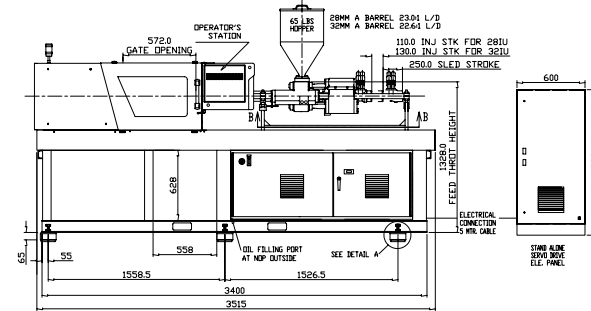
MAGNA

TOGGLE SERIES

Tonnage: 55

Frame Sizes:
28mm, 32mm

TECHNICAL SPECIFICATIONS



		28mm Frame			32mm Frame		
	ENGLISH METRIC	A	B	C	A	B	C
General							
Electrical Motor	hp kW		15 11.5			15 11.5	
Total Oil Capacity	gal L		55 208			55 208	
Water Supply (29°C Inlet Temp)	gal/min L/min		10.6 40			10.6 40	
Connected Load	kW		17.9			18.8	
Overall Dimensions (L x W x H)	ft m		11.4 x 3.9 x 6.88 [2] 3.5 x 1.3 x 2.1			11.4 x 3.9 x 6.88 [2] 3.5 x 1.3 x 2.1	
Machine Weight	lbs kg		6,393 2,900			7,055 3,200	
Injection Unit Specifications							
Injection Capacity, Maximum GPPS	oz gms	2.3 64	3.0 84	3.7 106	3.5 99	4.4 125	6.0 171
Theoretical Displacement	in ³ cm ³	4.1 67	5.4 88	6.8 112	6.3 104	8.1 132	11.0 180
Maximum Injection Pressure	psi bar	29,900 2,068	22,900 1,584	18,100 1,251	30,000 2,074	23,700 1,639	17,400 1,204
Injection Rate	in ³ /sec cm ³ /sec	6.2 102	8.1 133	10.3 168	6.0 99	7.7 126	10.4 171
Injection Velocity	in/sec mm/sec		6.5 167			4.9 125	
Screw Stroke	in mm		4.3 110			5.1 130	
Back Pressure Limits	psi bar		500 34.4			500 34.4	
Screw Diameter	in mm	1.10 28	1.26 32	1.42 36	1.26 32	1.42 36	1.65 42
Screw L/D Ratio	L/D	22.6	20	17.7	22.6	20	17.7
Screw Speed	rpm		400			298	
Screw Torque	in-lb Nm		3,800 425		6,000 665	6,100 671	6,100 671
	at psi at bar		2,466 170		2,466 170	2,495 172	2,495 172
Plasticizing Rate (GPPS)	oz/sec gm/sec	0.4 12	0.5 15	0.7 20	0.4 11	0.5 15	0.8 23
Number of Pyrometers (Barrel/Nozzle)	qty		3/1			3/1	
Total Heat Capacity	kW		6.4			7.3	

©2017 Milacron LLC. All Rights Reserved.
Pub Number: T4.1001.A.03.17

4165 Half Acre Rd.,
Batavia OH 45103
513.536.2000
info@milacron.com
www.milacron.com

		28mm Frame			32mm Frame		
	ENGLISH METRIC	A	B	C	A	B	C
Clamp							
Clamping Force	ton kN		56 500			56 500	
Opening Force	ton kN		150 16			150 16	
Clamp Stroke	in mm		11 280			11 280	
Clamp Close Velocity	in/sec cm/sec		17.7 450			17.7 450	
Clamp Open Velocity	in/sec cm/sec		15.7 400			15.7 400	
Eject Force (forward)	tons kN		3.6 32			3.6 32	
Eject Velocity (forward)	in/sec cm/sec		12.7 325			12.7 325	
Eject Velocity (retract)	in/sec cm/sec		12.7 325			12.7 325	
Ejector Stroke	in mm		3.9 100			3.9 100	
Mold Protect Pressure	Psi Bar		493 34			493 34	
Maximum Daylight	in mm		24.8 630			24.8 630	
Minimum Mold Height	in mm		5.9 150			5.9 150	
Maximum Mold Height	in mm		13.8 350			13.8 350	
Maximum Mold Weight	lbs kg		926 420			926 420	
Platen Size (H x V)	in mm		19.6 x 19.0 500 x 485			19.6 x 19.0 500 x 485	
Distance Between Tie Rods	in mm		12.7 x 12.2 325 x 310			12.7 x 12.2 325 x 310	
Tie Rod Diameter	in mm		2.2 55			2.2 55	
Dry Cycle Time (Euromap 6)	sec		2.5			2.5	

Notes

- 1) All machine dimensions and specifications are subject to change. Values are for reference only. All general assembly drawings or visuals included herein are for reference only. Please consult the general assembly drawing from a Milacron representative.
- 2) Additional cabinet dimensions: 1.96 ft x 1.4 ft x 4.2 ft with 16 ft cable



MAGNA

TOGGLE SERIES

Tonnage: 55

**Frame Sizes:
28MM, 32MM**

TECHNICAL SPECIFICATIONS

©2017 Milacron LLC. All Rights Reserved.
Pub Number: T4.1001.A.03.17

4165 Half Acre Rd.,
Batavia OH 45103
513.536.2000
info@milacron.com
www.milacron.com