



Milacron Picker

You're not just buying a picker ...



Simplicity | Freely programmable | Safe operation



Not just any picker... a Milacron Picker



- Easy adjustment of strokes, take out direction and swing angle.
- Safety lock on vertical arm to prevent arm movement during loss of air pressure.
- Sprue Gripper with turner verification as standard.



A simple, open and safe electronic control

- Standard pre-programmed sequences can be modified during operation.
- Pre-selectable cycle counter.
- 4 inputs and 4 outputs for control of ancillaries (e.g. indexing conveyor signal).



Free programming

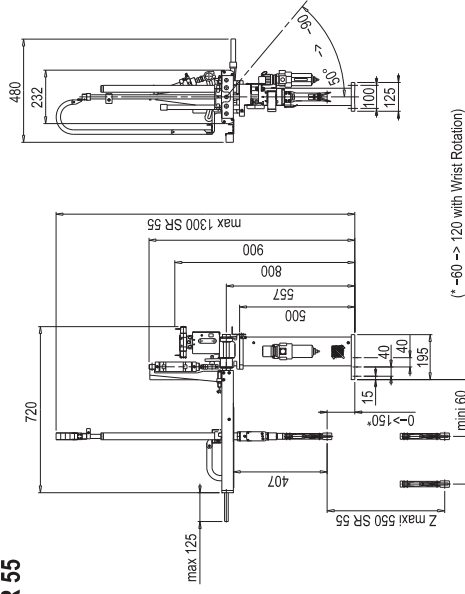
- Custom programs may be programmed via the electronic pendant.
- Up to 20 different programs can be stored.

Safe operation

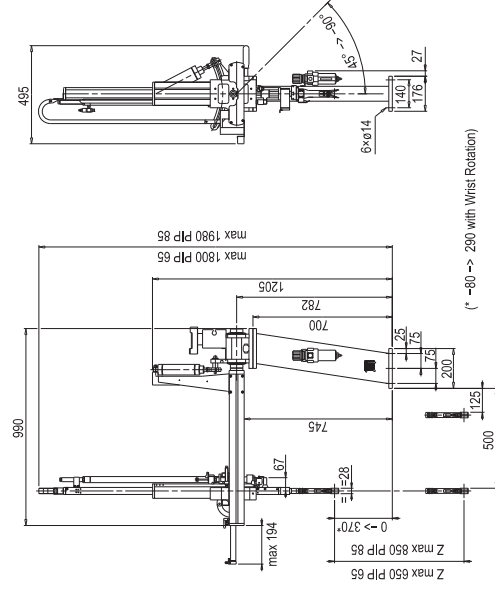
- Press/robot interface: Euromap 12 and SPI (Euromap 67 available as an option).
- Meets the requirements of the CE Machine Directive.

You're not just buying a picker...
You're joining the Milacron Team

SR 55



SR 65/85



Models	SR 55	SR 65	SR 85
Vertical stroke	0-550 mm 21"	0-650 mm 25"	0-850 mm 33"
Strip stroke	0-75 mm 3"	0-125 mm 5"	0-125 mm 5"
Swing Angle	Quick simple adjustment Operator or non operator side		
	50° to 90°	45° to 90°	45° to 90°
Minimum take-out time	0,7 s	1,3 s	1,7 s
Minimum cycle time	3,0 s	4,0 s	4,5 s
Wrist rotation 90°	OPTION *		
Payload			
Without wrist rotation	2.2 lb / 1 kg	4.4 lb / 2 kg	4.4 lb / 2 kg
With wrist rotation	1.1 lb / 0.5 kg	2.2 lb / 1 kg	2.2 lb / 1 kg
Air pressure	58 to 80 PSI / 4 to 6 bar		
Air consumption per cycle – max.	.20 CFM / 5.8 l	.22 CFM / 6.2 l	.23 CFM / 6.4 l
Voltage	230V single phase; 50-60 Hz		

***OPTIONS:**

- 90° wrist rotation (rotation axis parallel to main arm axis).
- Vacuum circuit for simple part removal



MILACRON
4165 Half Acre Road
Batavia, OH. 45103
513-536-2000
milacron@milacron.com

ALEMENIA
Rieglerstrasse 4
D-79364 Malterdingen
Alemania
+49 (0)7644 78-0

CHINA
58 Chengjiang Road
(Middle), Jiangyin,
Jiangsu Province
China 214429
+86 510 8619 8103

INDIA
92, Phase-I,
G.I.D.C., Vatva,
Ahmedabad - 382 445,
Gujarat - India
+91 79 25890081

All specifications reflect average values based upon typical machine layouts. Actual figures will vary depending on final machine configuration. If you require more specific data, consult a certified installation print for your particular machine. Performance specifications are based upon theoretical data. Due to continual improvements, specifications are subject to change without notice.
MILACRON LLC. MILACRON, CINCINNATI MILACRON, MT, MTH, MTS, Endura, and the Globe Graphic are registered trademarks of MILACRON LLC. VBET is a trademark of Barr. Printed in USA. © 2011