

BOLTED STEEL OR ALUMINUM SILOS



LOW COST EXPORTABLE BULK STORAGE

Milacron's bolted steel or aluminum silos are shipped unassembled. They can be shipped virtually anywhere in the world and assembled at the customer's plant.

The individual panels of a bolted steel silo are epoxy coated on the inside to keep material contamination free. The outside is primed and enamel coated to prevent rusting. Aluminum panels do not require internal or external painting or coating.

BROAD RANGE OF STORAGE CAPACITIES AVAILABLE

Milacron offers bolted silos in a variety of storage capacities ranging from 1,901 to 10,412 cubic feet.

Two cone configurations are available. Configuration is determined by the type of material to be stored. Silos for pellet storage usually have a 45° cone bottom. For powder and hard-to-flow materials the silo includes a 60° cone.

The Milacron sales team is ready to help you select the size, style and features that will best suit your storage needs.

Specially trained installation crews assemble the silo on a customer poured pad and connect all accessories and install the unloading and conveying system to get you up and running.

MILACRON LLC
4165 Halfacre Road • Batavia, OH 45103, US
• Tel (513)-536-2000 • (513)-536-2321 •

- **Reduced freight costs**

Because bolted silos are delivered in pieces, they can generally be shipped by commercial carrier.

- **Customized to fit your needs**

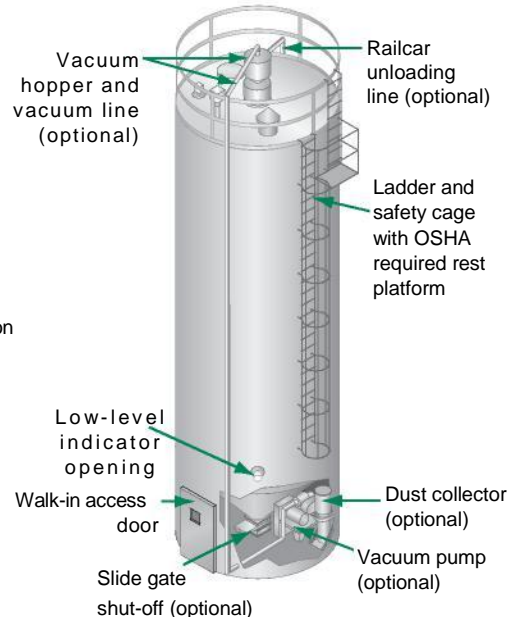
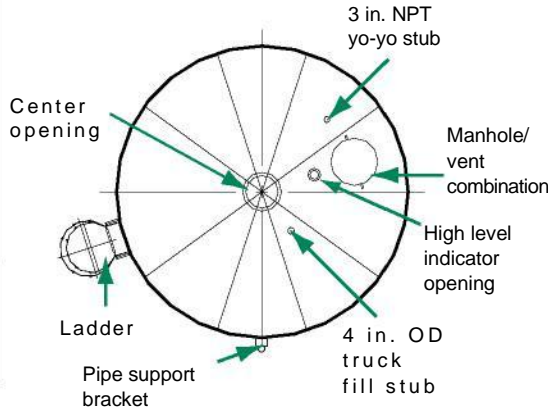
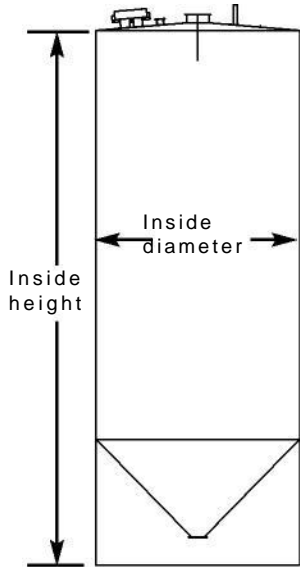
Options include a safety cage and rest platform for silos over 30 feet, a ladder and a slide gate shut-off which is pre-drilled to accept an optional Milacron distribution box.

- **Many standard features**

Included as standard are a prefabricated roof with manhole/vent combination, perimeter guard rail with safety toe board and railing. Also, a vacuum receiver mounting flange, truck-fill nipple, ladder, high and low level indicator mounts, mounting flange for the slide gate shut-off, a fully enclosed weather-proof vented silo skirt, and a louvered access door in the skirt of the silo is included. If two or more silos are purchased at once, a four foot (span) crossover walkway is provided.



BOLTED STEEL OR ALUMINUM SILOS



SB MODELS												
Inside diameter	12 ft, 3 11/16 in						15 ft, 4 5/8 in					
Silo inside height in. m)*	24 7.3)	32 9.8)	40 12.2)	48 14.6)	56 17.1)	64 20.0)	24 7.3)	32 9.8)	40 12.2)	48 14.6)	56 17.1)	64 20.0)
Performance characteristics												
Silo capacity 45° cone ft ³ liters)†	1901 53836)	2851 80740)	3802 107673)	4752 134577)	5703 161509)	6653 188412)	2923 82779)	4421 125203)	5919 167626)	7416 210021)	8914 252444)	10412 294868)
Construction material	ASTM A570 Grade 40 Steel or 5052 - H-32 Aluminum											
Wind load	100 mph											
Snow load	40 lbs/ft ²											
Weight lbs kg) ‡												
Shipping (empty)	6064 2750)	7616 3454)	9168 4159)	10840 4917)	13136 5958)	15352 6963)	9257 4199)	10977 4979)	13757 6240)	16337 7410)	18787 8522)	22477 10195)
Full to capacity	82104 37242)	121656 55182)	161248 73141)	200920 91136)	241256 109432)	281472 127673)	126177 57233)	187817 85192)	250517 113633)	312977 141964)	375347 170254)	438957 199107)

SB MODELS						
Inside diameter	18 ft, 5 9/16 in					
Silo inside height in. m)*	24 7.3)	32 9.8)	40 12.2)	48 14.6)	56 17.1)	64 20.0)
Performance characteristics						
Silo capacity 45° cone ft ³ liters)†	3657 103566)	5871 166267)	8085 228967)	10299 291668)	12513 354368)	14727 417069)
Construction material	ASTM A570 Grade 40 Steel or 5052 - H-32 Aluminum					
Wind load	100 mph					
Snow load	40 lbs/ft ²					
Weight lbs kg) ‡						
Shipping (empty)	13049 5919)	16145 7323)	18473 8379)	22901 10387)	26312 11935)	30536 13851)
Full to capacity	159329 72270)	250985 113845)	341873 155071)	434861 197249)	526832 238967)	619616 281052)

SPECIFICATION NOTES:
* For overall height add 43 inches to inside height to account for the guard rail.
† Cones are available in 45° for pellets, except PET; 60° for powdered materials and PET materials. Reduce silo capacity for 60° cone. 12 feet, 3 11/16 inches, subtract 289 ft ³ ; and 15 feet, 4 5/8 inches, subtract 592 ft ³ ; and 18 feet, 5 9/16 inches subtract 1,272 ft ³ .
‡ Weight is based on 40 lb/ft ³ materials.
Roof live and dead load design is 25 lb per square foot.
Reference foundation drawings: 12 feet, 3 11/16 inches bolted, 501-207 series; 15 feet, 4 5/8 inches bolted, 501-209 series; and 18 feet, 5 9/16 inches bolted, 501-217 series.
Specifications may change without notice. Check with a Milacron representative for the most current information.

