

Completely rebuild your 10039 or 10040 trimmer by ordering these Uniloy original replacement parts. Preventative maintenance on your machine is the best way to guarantee that you will be running production and not breaking down when you need it the most.

Uniloy also offers upgrades and conversions for not only the 10039 and 10040 but all of your Uniloy impact trimmer models. To see the complete list of available upgrades, check out our web posting entitled **Impact Trimmer Conversions**.

This web posting contains the major wear items on your 10039 or 10040 trimmer. By ordering these and completely rebuilding your trimmer, you can help your machine keep running production for years to come.

Section 1 is for the **Conveyor Frame** that moves the bottles through the trimmer using our current economically replaceable UHMWPE rails.

Section 2 is for the **Crank Assembly** that moves the trim tooling up and down.

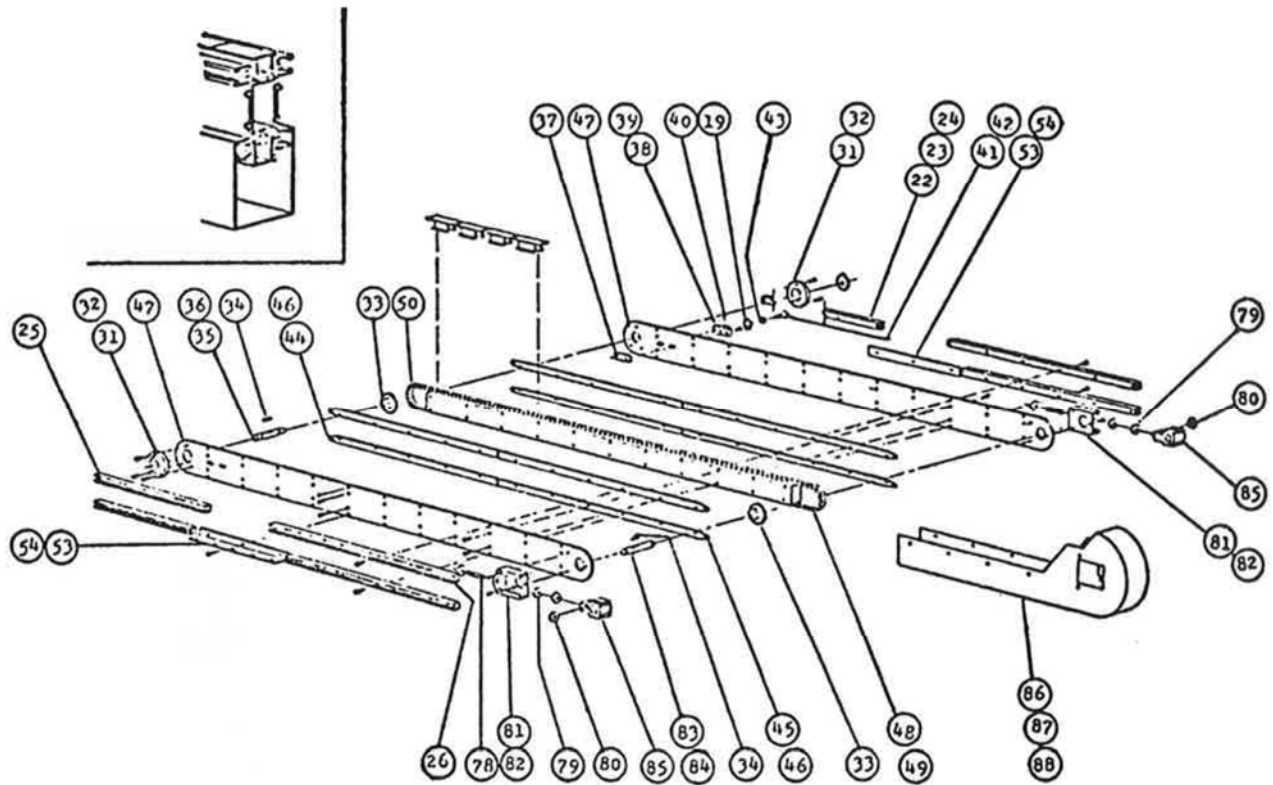
Section 3 is for the **Geneva Indexing Assembly** that supplies the rotations for the items in sections 1 and 2.

Section 4 is for the **Drive Assembly** that provides the correct timing and indexing distances for your container/machine. We have not identified these items by part number and please note that when ordering these drive parts we need to know:

1. The number of heads on the machine.
2. The head center distance.
3. The machine line cycle time
4. The trimmer indexing distance

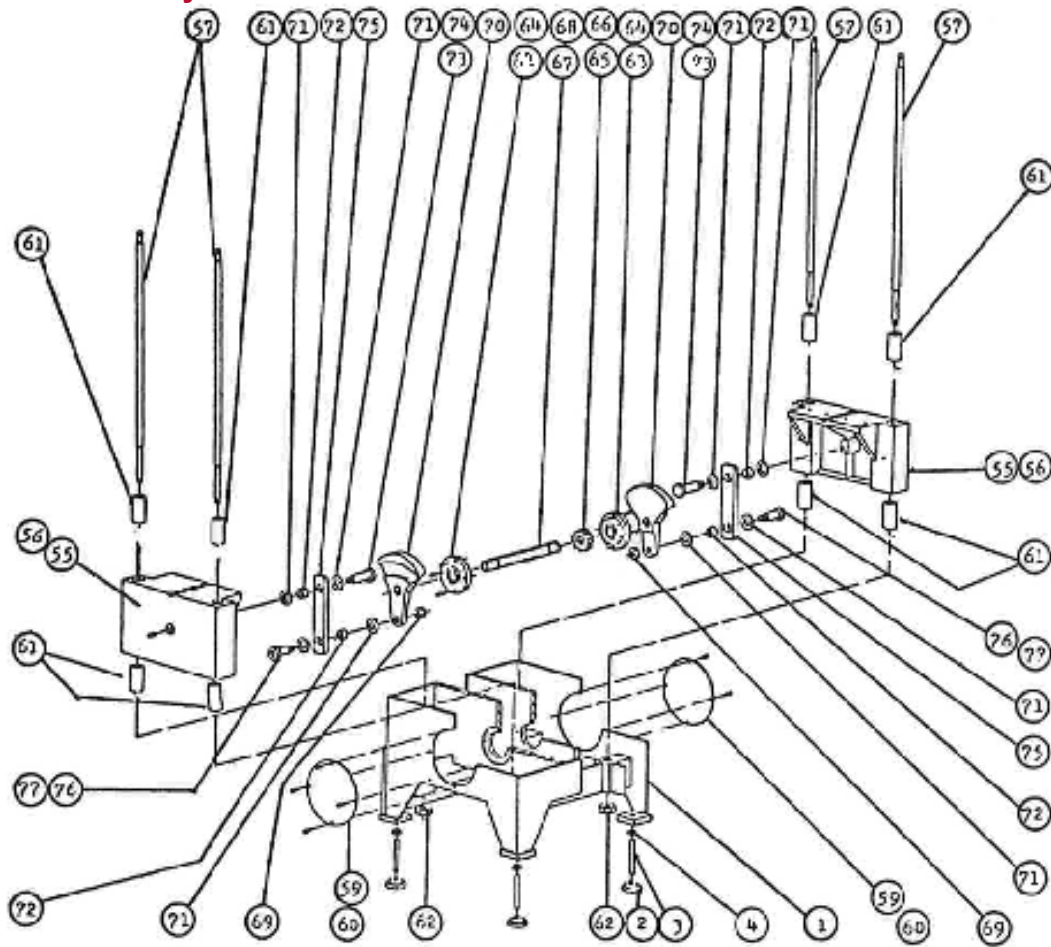
It would also be helpful to have the number of teeth on your existing trimmer pulleys and indexing sprockets and the chain size (#40 or #50)

Section 1: Conveyor Frame



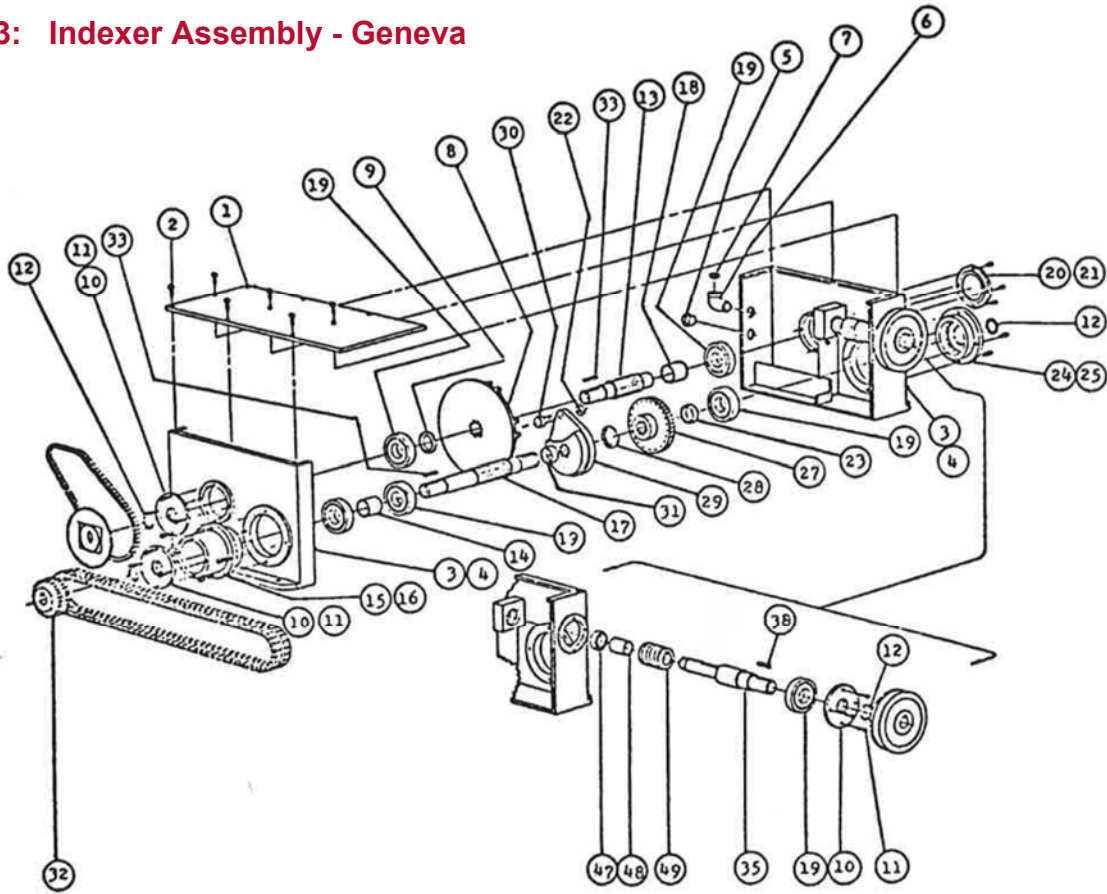
<u>ITEM</u>	<u>QTY</u>	<u>PART NUMBER</u>	<u>DESCRIPTION</u>
31	2	10410929	Flange Bearing
33	2	10411249	Sprocket
35	1	10411229	Shaft
36	2	10420550	Snap Ring
41	1	10411060	Idler Stud
44	2	10409170	Rail Exit End Opposite (10039 or 10040)
44	2	10409160	Rail Exit End (10039 or 10040)
45	2	10409168	Rail Load End Opposite (10039 only)
45	2	10409158	Rail Load End (10039 only)
45	2	10409169	Rail Load End Opposite (10040 only)
45	2	10409159	Rail Load End (10040 only)
50	20	10410733	Roller Chain (10039)
50	24	10416924	Roller Chain (10040)
83	1	10411236	Shaft
85	2	10410926	Take-up Bearing
NI	1	10410735	Master Link
NI	60	10410180	Fastener
NI	1	10411322	S-Bar
NI	1	10411324	Container Guide
NI	4	10410919	Bushing

Section 2: Crank Assembly



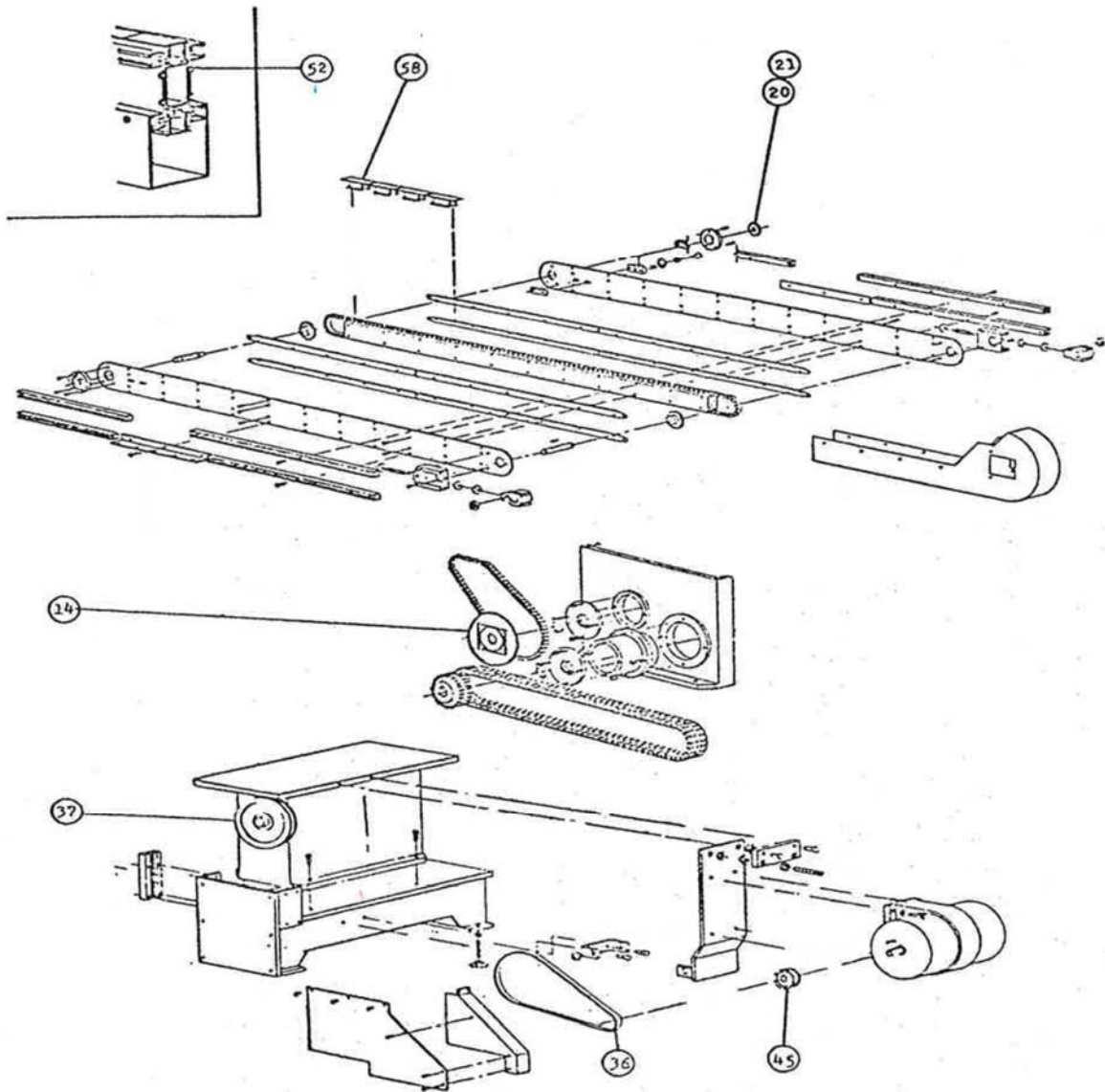
<u>ITEM</u>	<u>QTY</u>	<u>PART NUMBER</u>	<u>DESCRIPTION</u>
61	8	10410920	Bushing
63	2	10410930	Hub
65	1	10411069	Sprocket
67	1	10411231	Crank Shaft
68	2	10420551	Snap Ring
69	4	10351827	Jam nut
70	1	10411104	Crank matched set of 2
71	8	10420639	Thrust Washer
72	4	10410847	Needle Bearing
73	2	10411070	Link Pin
75	2	10411102	Link
76	2	10411061	Crank Pin
NI	1	10410719	Chain 50-2 Master Link
NI	1	10410723	Chain 50-2 Offset Master Link
NI	5.5	10410727	Chain 50-2
NI	1	10410795	Tensioner
NI	1	10410797	Idler Sprocket
NI	2	10419952	T-Nut

Section 3: Indexer Assembly - Geneva



<u>ITEM</u>	<u>QTY</u>	<u>PART NUMBER</u>	<u>DESCRIPTION</u>
8	1	10411068	Star Wheel
9	1	10411221	Spacer
12	4	10410957	Oil Seal
13	1	10411222	Shaft
14	1	10411226	Spacer
17	1	10411223	Drive Shaft
18	1	10411224	Spacer
19	6	10410811	Bearing
22	1	10419887	Hex nut
23	1	10411248	Spacer
27	1	10411075	Wheel Worm
28	1	10411136	Spacer Worm Gear
29	1	10411064	Index Arm
30	1	10410846	Cam Follower
31	1	10411225	Spacer
32	1	10410710	Sprocket
35	1	10411098	Shaft Worm
47	1	10410813	Bearing
48	1	10411062	Spacer
49	1	10410754	Gear

Section 4: Drive Assembly



<u>ITEM</u>	<u>QTY</u>	<u>PART NUMBER</u>	<u>DESCRIPTION</u>
14	1	TBD	Sprocket
20	1	TBD	Sprocket
36	1	TBD	Timing Belt
37	1	TBD	Pulley
45	1	TBD	Pulley
52	TBD	10419674	Roll Pin
58	TBD	TBD	Bucket Carrier
NI	1	TBD	Chain Master Link
NI	1	TBD	Chain Offset Master Link
NI	6	TBD	Chain Roller
NI	1	TBD	Idler Sprocket Single Strand
NI	1	TBD	Bushing Split Taper
NI	1	TBD	Back Up Plate

Sales and Service and Engineering

For more information including pricing on trimmer replacement parts or any other machine upgrade, please contact your local Uniloy Parts Sales Representative. Trained Uniloy Service Representatives are available to assist in the installation of these packages at your facility. All Uniloy retrofit packages are engineered to suit your individual machine specifications. Complete engineering documentation including assembly drawings, parts lists, and schematics are always included.