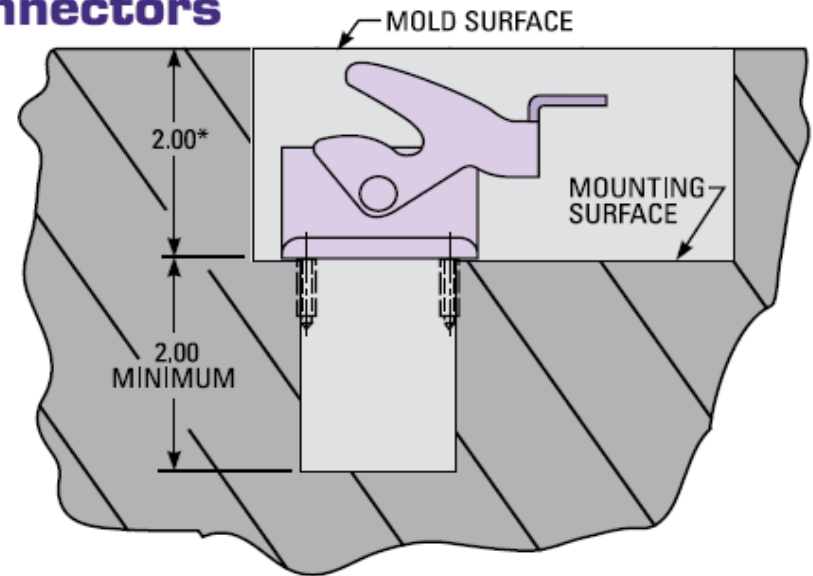
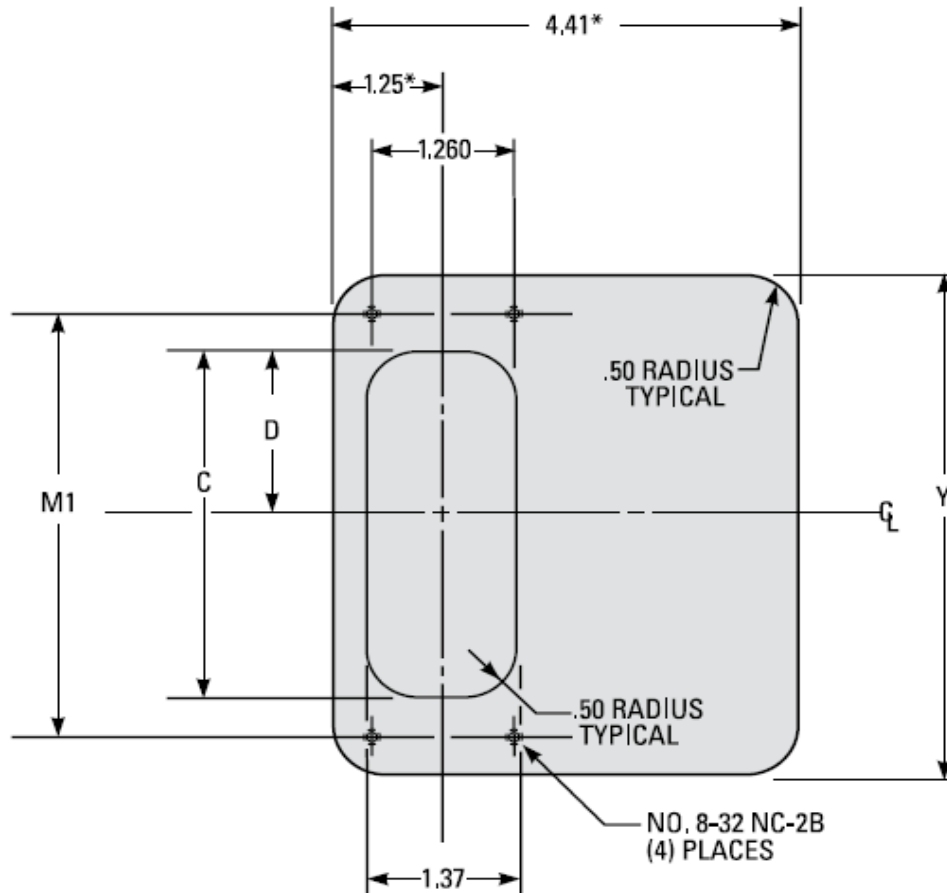


NOTE: Disregard dimensions marked with * for surface mounting.

Below-Flush and Surface Mounting of Thermocouple Connectors



ITEM NUMBER	DIMENSION			
	M1	C	D	Y
MTC-5-G	3.268	2.55	1.275	4.00
MTC-8-G	4.055	3.34	1.670	4.80
MTC-12-G	5.118	4.40	2.200	5.86

NOTE: Mold power input connector PICH-23-G is dimensionally identical to MTC-8-G.