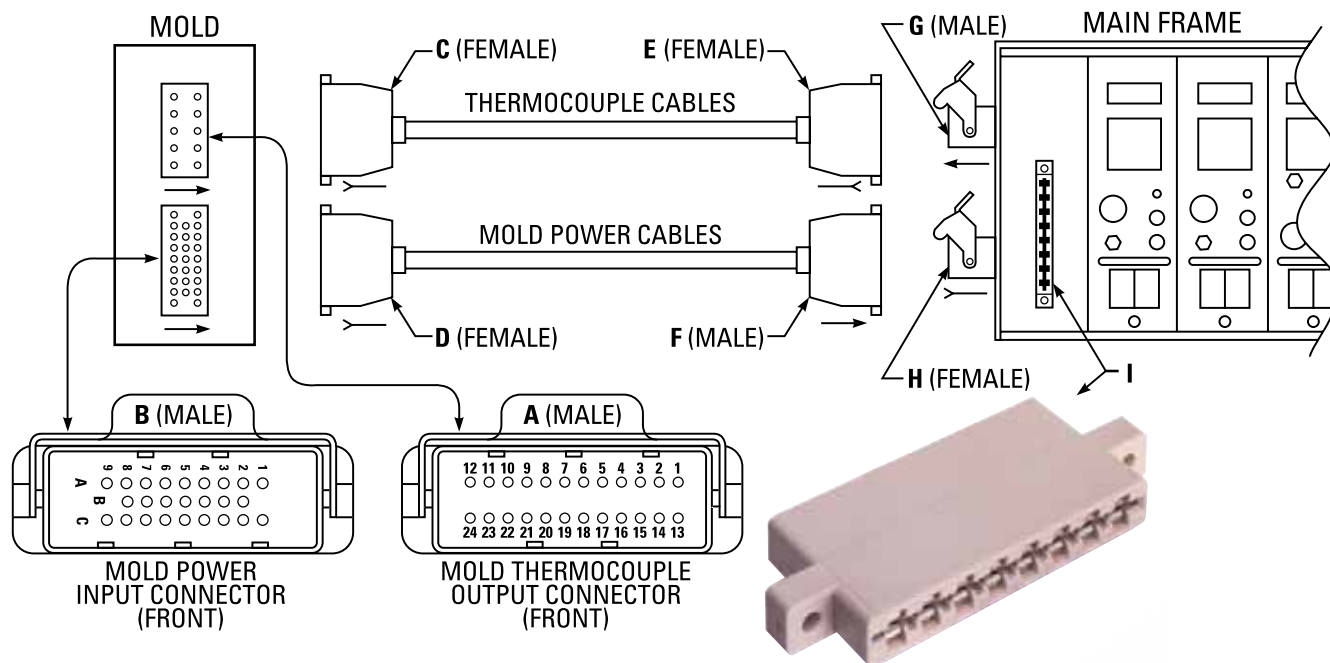


Replacement Parts and Service Items for D-M-E Smart Series® Temperature Control Systems



NOTE: For upper inside communications connectors, see page 38.

Connectors / Connector Kits (5 - 48 Zone, 15 Amp; 2 - 5 Zone, 30 Amp)

| REFERENCE LETTER | DESCRIPTION | ITEM NUMBER |
|------------------|--|-------------|
| A | Mold Thermocouple Output Connectors | See pg. 28 |
| B | Mold Power Input Connectors | See pg. 27 |
| C | Mold End Kit for 5-Zone Thermocouple Cable (10, 15 or 30 AMP) | CKTF-15-G |
| | Mold End Kit for 8-Zone Thermocouple Cable (10 or 15 AMP) | CKTF-18-G |
| | Mold End Kit for 12-Zone Thermocouple Cable (10 or 15 AMP) | CKTF-112-G |
| D | Mold End Kit for all 10 or 15 AMP Power Cables | CKPF-112-BG |
| | Mold End Kit for 2 or 3-Zone 30 AMP Power Cables | CKPF-13-CG |
| | Mold End Kit for 5 Zone 30 AMP Power Cables | CKPF-15-CG |
| E | Frame End Kit for all Thermocouple Cables (10, 15 or 30 AMP) | CKTF-112-AG |
| F | Frame End Kit for all 10 or 15 AMP Power Cables | CKPM-112-BG |
| | Frame End Kit for 2 or 3-Zone, 30 AMP Power Cables | CKPM-13-CG |
| | Frame End Kit for 5-Zone, 30 AMP Power Cables | CKPM-15-CG |
| G | Thermocouple Input Kit for all Mainframes (10, 15 or 30 AMP) | CKTM-212-AG |
| H | Power Output Kit for all 10 or 15 AMP Mainframes | CKPF-212-BG |
| | Power Output Kit for 2-, or 3-Zone, 30 AMP Mainframes | CKPF-23-CG |
| | Power Output Kit for 5-Zone, 30 AMP Mainframes | CKPF-25-CG |
| I | Edge Card Connector Kit for all Mainframe PC Boards (10, 15 or 30 AMP) | CKF-312-G |

Replacement Parts and Service Items for D-M-E Smart Series® Temperature Control Systems

Mainframe, Cable Components, and Service Tools *

| | | |
|----------|---|-------------|
| CBD10M | 10 AMP 2 POLE, CIRCUIT BREAKER USED IN MFP1G AND MFP1G1 | |
| CBD20M | 20 AMP 2 POLE, CIRCUIT BREAKER USED IN MFR2G | |
| CBD30M | 30 AMP 2 POLE, CIRCUIT BREAKER USED IN MFFPR2G AND MFHP1G | |
| CBD50 | 50 AMP 3 POLE, CIRCUIT BREAKER USED IN 5 THROUGH 12 ZONE MAINFRAMES | |
| CBD70 | 70 AMP 3 POLE, CIRCUIT BREAKER USED IN 16 THROUGH 48 ZONE & HIGH POWER MAINFRAMES | |
| PIN-0114 | 14 GAUGE MALE PIN FOR "B" & "F" POWER CONNECTORS (PACKAGE OF 30) | SEE PAGE 39 |
| PIN-0214 | 14 GAUGE FEMALE SOCKET FOR "D" & "H" POWER CONNECTORS (PACKAGE OF 30) | SEE PAGE 39 |
| PIN-0120 | 20 GAUGE MALE PIN FOR "G" THERMOCOUPLE CONNECTOR (PACKAGE OF 30) | SEE PAGE 39 |
| PIN-0220 | 20 GAUGE FEMALE PIN FOR "E" THERMOCOUPLE CONNECTOR (PACKAGE OF 30) | SEE PAGE 39 |
| WHT-1919 | CRIMP TOOL FOR ALL PIN-XXXX LISTED ABOVE | |
| RPM-0048 | EXTRACTION TOOL FOR ALL PIN-TYPE CONNECTOR PINS | |
| RPM-0038 | NEON INDICATORS USED ON 240 VAC MAINFRAME CIRCUIT BREAKER PANELS | |
| RPM-0044 | CARD GUIDES FOR ALL MAINFRAMES | |
| RPM-0046 | PINS FOR WHITE EDGE CARD CONNECTORS "I" (PACKAGE OF 20) | |
| RPM-0059 | PANEL MOUNT BASE & LATCH FOR 5 ZONE THERMOCOUPLE MOLD CONNECTION "A" | SEE PAGE 39 |
| RPM-0060 | PANEL MOUNT BASE & LATCH FOR 8 ZONE THERMOCOUPLE MOLD CONNECTION "A" | SEE PAGE 39 |
| RPM-0061 | PANEL MOUNT BASE & LATCH FOR 12 ZONE THERMOCOUPLE MOLD CONNECTION "A" | SEE PAGE 39 |
| RPM-0062 | MALE INSERT FOR 5 ZONE THERMOCOUPLE MOLD CONNECTION "A" | SEE PAGE 39 |
| RPM-0063 | MALE INSERT FOR 8 ZONE THERMOCOUPLE MOLD CONNECTION "A" | SEE PAGE 39 |
| RPM-0064 | MALE INSERT FOR 12 ZONE THERMOCOUPLE MOLD CONNECTION "A" | SEE PAGE 39 |
| RPM-0065 | FEMALE INSERT FOR 5 ZONE THERMOCOUPLE CABLE CONNECTOR "C" | SEE PAGE 39 |
| RPM-0066 | FEMALE INSERT FOR 8 ZONE THERMOCOUPLE CABLE CONNECTOR "C" | SEE PAGE 39 |
| RPM-0067 | FEMALE INSERT FOR 12 ZONE THERMOCOUPLE CABLE CONNECTOR "C" | SEE PAGE 39 |
| RPM-0068 | HOOD FOR 5 ZONE THERMOCOUPLE CABLE CONNECTOR "C" | SEE PAGE 39 |
| RPM-0069 | HOOD FOR 8 ZONE THERMOCOUPLE CABLE CONNECTOR "C" | SEE PAGE 39 |
| RPM-0070 | HOOD FOR 12 ZONE THERMOCOUPLE CABLE CONNECTOR "C" | SEE PAGE 39 |
| RPM-0071 | HOOD FOR 5, 8 & 12 POWER & THERMOCOUPLE CABLE CONNECTIONS "D", "E" & "F" | SEE PAGE 39 |
| RPM-0072 | MALE INSERT FOR "B", "F" & "G" (15 AMP CONNECTOR RATING IS EXCLUSIVE TO D-M-E) | SEE PAGE 39 |
| RPM-0073 | FEMALE INSERT FOR "D", "E" & "H" (15 AMP CONNECTOR RATING IS EXCLUSIVE TO D-M-E) | SEE PAGE 39 |

* (Reference page 28-39 for Letter Designations)

All Smart Series Modules

| | |
|----------|--|
| ABC-1 | 1 AMP 250 VAC FUSE |
| ABC-3 | 3 AMP 250 VAC FUSE - NOTE: THESE LOWER POWER FUSES ARE RECOMMENDED FOR NOZZLES |
| ABC-5 | 5 AMP 250 VAC FUSE - NOTE: THESE LOWER POWER FUSES ARE RECOMMENDED FOR NOZZLES |
| ABC-10 | 10 AMP 250 VAC FUSE - NOTE: REQUIRED FOR 15 AMP MODULES USED IN 10 AMP FRAMES |
| ABC-15 | 15 AMP 250 VAC FUSE |
| NYL-0001 | "NYLATCH" MODULE RETENTION PLUNGER AND GROMMET (10/PKG) - NOTE: AT THE BOTTOM OF EACH MODULE |
| RPM-0008 | POWER ROCKER SWITCH FOR ALL MODULES EXCEPT DSS AND CSS-1524 |
| RPM-0009 | TRANSFORMER TYPE DST-4-16 FOR ALL MODULES EXCEPT DSS & TAS |
| RPM-0027 | ALUMINUM HANDLE FOR 15 AMP MODULES |
| RPM-0039 | 30 AMP 2 POLE, CIRCUIT BREAKER FOR MODULES |
| RPM-0023 | TRIAC - TYPE Q6040P 40 AMP 600 VOLT FOR USE ON ALL MODULES |
| RPM-0054 | TRIAC - TYPE BTA40-800B 40 AMP 800 VOLT FOR USE ON ALL MODULES EXCEPT CSS |
| RPM-0050 | 2200 OHM FLAME PROOF FUSIBLE LINK RESISTOR USED IN THERMOCOUPLE CIRCUIT (10/PKG) USED ON ALL MODULES |
| RPM-0088 | A/D CONVERTER FOR SSM-15G, SSM15G1, SSM-30G, SSH-1001, SSH-1002 AND ALL CSS MODULES |

Replacement Parts and Service Items for D-M-E Smart Series® Temperature Control Systems

CSS-15G, CSS-30G, CSS-1502, CSS-3002

| | |
|----------|--------------------------------|
| CSS-0001 | MICROPROCESSOR FOR CSS-15G |
| CSS-0002 | MICROPROCESSOR FOR CSS-1502 |
| RPM-0011 | TRIAC DRIVER U14 |
| RPM-0012 | OPTOCOUPLER U9 & U11 |
| RPM-0013 | OPERATIONAL AMPLIFIER U8 & U13 |
| RPM-0014 | OPERATIONAL AMPLIFIER U3 |

DSS-15G, DSS-30G, DSS-1502, DSS-3002

| | |
|----------|---|
| DSS-0001 | MICROPROCESSOR FOR DSS-15G, DSS-15G1 & DSS-30G |
| DSS-0002 | MICROPROCESSOR FOR DSS-1501, DSS-1502 & DSS-3002 |
| RPM-0020 | TRANSFORMER |
| RPM-0022 | TRIAC DRIVER Q1 |
| RPM-0024 | POWER ROCKER SWITCH |
| RPM-0086 | 315 MA TIME LAG FUSE F3 (USED IN DSS-1501, 1502, & 3002 MODULES ONLY); CHECK YOUR MODULE! |
| RPM-0089 | 200 MA TIME LAG FUSE F3 (USED IN DSS-1501, 1502, & 3002 MODULES ONLY); CHECK YOUR MODULE! |

SSM-15G, SSM-30G, SSH-1002, ESH-1012

| | |
|----------|--------------------------------------|
| RPM-0010 | TRIAC DRIVER U5 |
| RPM-0012 | OPTOCOUPLER U6 & U7 |
| RPM-0013 | OPERATIONAL AMPLIFIER U2 |
| RPM-0014 | OPERATIONAL AMPLIFIER U8 |
| RPM-0015 | SETPOINT POTENTIOMETER (FRONT PANEL) |

SSM-1501, SSM-1502, SSM-3002, SSH-1011, SSH-1012, ESH-1012

| | |
|----------|--|
| SSM-0002 | MICROPROCESSOR |
| RPM-0010 | TRIAC DRIVER U5 |
| RPM-0014 | OPERATIONAL AMPLIFIER U3 & U8 |
| RPM-0053 | PUSHWHEEL ASSEMBLY, WITH CABLE |
| RPM-0055 | AUTO/MANUAL/AUTO% SWITCH FOR FRONT PANEL (SSM ONLY) (FRONT PANEL) |
| RPM-0056 | AUTO/MANUAL/AUTO% SWITCH FOR FRONT PANEL (SSH & ESH) (FRONT PANEL) |
| RPM-0087 | 250 MA TIME LAG FUSE F3; CHECK YOUR MODULE! |
| RPM-0090 | 160 MA TIME LAG FUSE F3; CHECK YOUR MODULE! |

TAS-0501, TAS-0502, TAS-0511, TAS-0512

| | |
|----------|--|
| RPM-0025 | BEEPER |
| RPM-0026 | TRANSFORMER |
| RPM-0028 | SWITCH STANDBY HEAT (TAS-0501, TAS-0502, ONLY) & ALARM (ALL UNITS) (FRONT PANEL) |
| RPM-0057 | ROTARY SWITCH FOR OFF, STANDBY HEAT, NORMAL, BOOST (TAS-0511, TAS-0512, ONLY) |
| RPM-0058 | KNOB FOR RPM-0057 |
| RPM-0029 | RECEPTACLE CONNECTOR FOR FRONT PANEL |
| RPM-0030 | MATING CONNECTOR (PLUG) FOR RPM-0029 |
| RPM-0031 | PINS FOR RPM-0030 |
| RPM-0032 | SOCKETS FOR RPM-0029 |
| RPM-0033 | RELAY #1 - ALARM OUTPUT CONNECTOR |
| RPM-0034 | RELAY #2 - BEEPER CONTACTS |