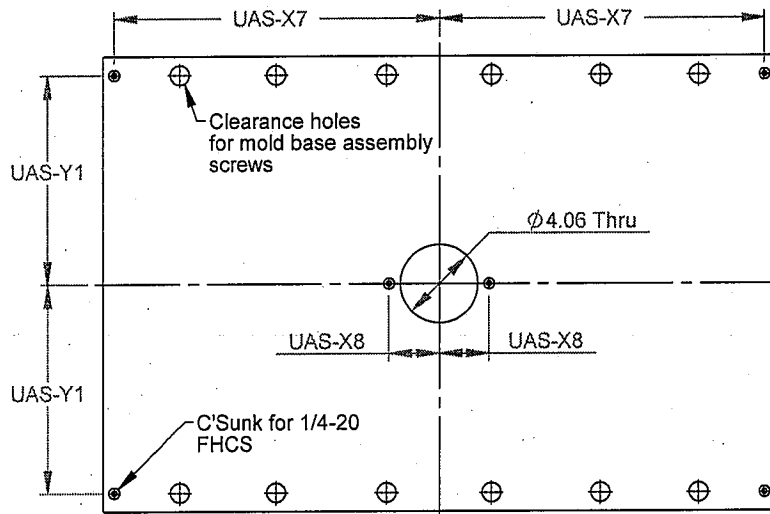


Installation data for High Temperature Insulator Sheet
Dimensions are in inches



Mold Base	Item#	Thickness	Item#	Thickness	UAS-X7	UAS-X8	UAS-Y1
8x8	HTISM-88-2	.250	HTISM-88-4	.500	3.250	-	2.438
8x12	HTISM-812-2		HTISM-812-4		5.250	-	2.438
10x8	HTISM-108-2		HTISM-108-4		3.312	-	3.312
10x12	HTISM-1012-2		HTISM-1012-4		5.250	-	3.312
10x16	HTISM-1016-2		HTISM-1016-4		7.312	-	3.312
10x20	HTISM-1020-2		HTISM-1020-4		9.312	2.625	3.312
11x12	HTISM-1112-2		HTISM-1112-4		5.312	-	3.781
11x14	HTISM-1114-2		HTISM-1114-4		6.312	-	3.781
11x18	HTISM-1118-2		HTISM-1118-4		8.312	-	3.781
12x12	HTISM-1212-2		HTISM-1212-4		5.312	-	4.281
12x15	HTISM-1215-2		HTISM-1215-4		6.812	-	4.281
12x20	HTISM-1220-2		HTISM-1220-4		9.312	2.625	4.281
13x15	HTISM-1315-2		HTISM-1315-4		6.812	-	5.031
13x18	HTISM-1318-2		HTISM-1318-4		8.312	-	5.031
13x21	HTISM-1321-2		HTISM-1321-4		9.687	2.625	5.031
13x26	HTISM-1326-2		HTISM-1326-4		12.312	2.625	5.031
15x18	HTISM-1518-2		HTISM-1518-4		8.250	-	6.469
16x16	HTISM1616-2		HTISM1616-4		7.312	-	6.969
16x20	HTISM-1620-2		HTISM-1620-4		9.312	2.625	6.969
16x23	HTISM-1623-2		HTISM-1623-4		11.062	2.625	6.969
16x29	HTISM-1629-2		HTISM-1629-4		14.062	2.625	6.969
18x18	HTISM-1818-2		HTISM-1818-4		8.312	-	7.969
18x20	HTISM-1820-2		HTISM-1820-4		9.312	2.625	7.969
19x24	HTISM-1924-2		HTISM-1924-4		11.187	2.625	8.781
24x24	HTISM-2424-2		HTISM-2424-4		11.187	2.625	10.844
24x29	HTISM-2429-2		HTISM-2429-4		14.062	2.625	10.844

COMPRESSIVE STRENGTH	(ASTM D-229)	49,400 PSI AT 75°F 27,200 PSI AT 300°F 18,000 PSI AT 400°F 17,100 PSI AT 500°F 15,000 PSI AT 550°F
MODULUS OF ELASTICITY IN COMPRESSION	(ASTM D-229)	1.8 x 10 ⁸ PSI AT 75°F 2.9 x 10 ⁸ PSI AT 425°F
WATER ABSORPTION	(ASTM D-229)	0.2%
THERMAL CONDUCTIVITY (K FACTOR), (BTU/HR/FT ² /IN/°F)	(ASTM C-177)	1.9 AT 75°F 2.1 AT 425°F
FLAME RESISTANCE	(UL SUBJECT 94)	94V-0
EXPANSION ACROSS THICKNESS		6.43 x 10 ⁻⁵ IN/IN/°F
EXPANSION ACROSS SURFACE		1.24 x 10 ⁻⁵ IN/IN/°F
MAXIMUM RECOMMENDED SERVICE TEMPERATURE		550°F



29111 STEPHENSON HIGHWAY
MADISON HEIGHTS
MICHIGAN 48071 USA
US 800-626-6653
CANADA 800-387-6600
www.dme.net