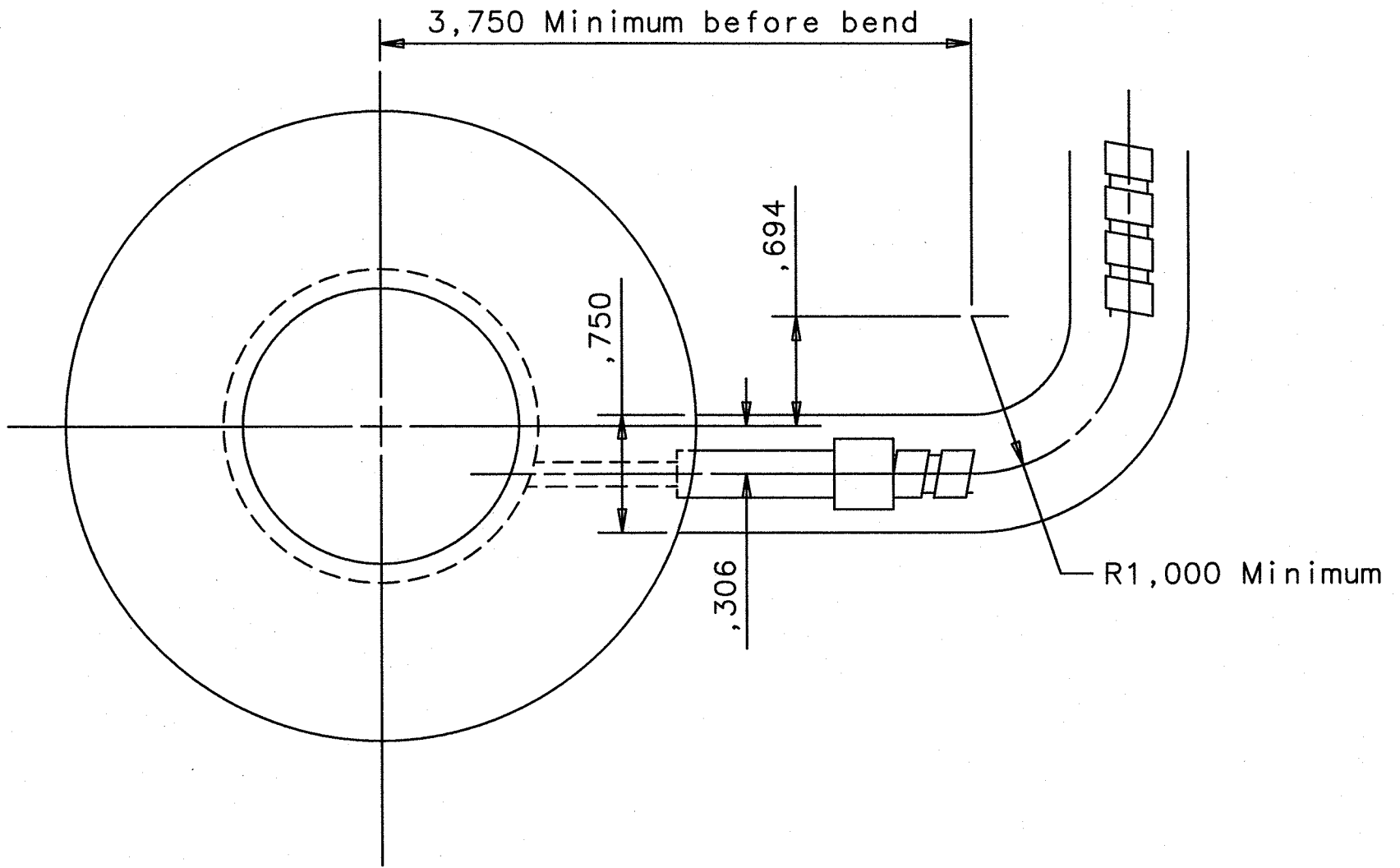


# DME wire slot machining dimensions for Straight Shot Bushing heater leads with 90° bend



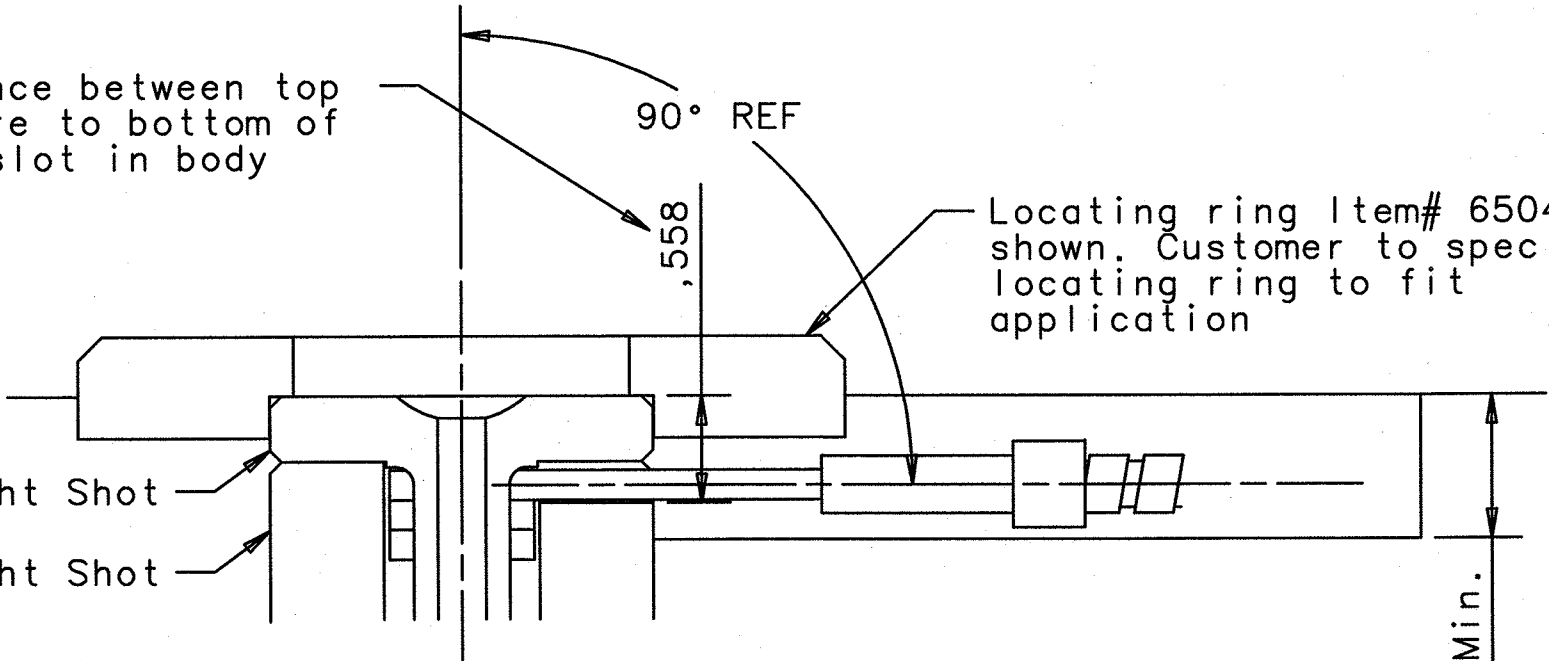
Distance between top of core to bottom of wire slot in body

90° REF

.558

Locating ring Item# 6504 shown. Customer to specify locating ring to fit application

Straight Shot "Core"  
Straight Shot "Body"



Adjust depth of wire channel to depth of Straight Shot Bushing in mold.

.750 Min.