

# One becomes two

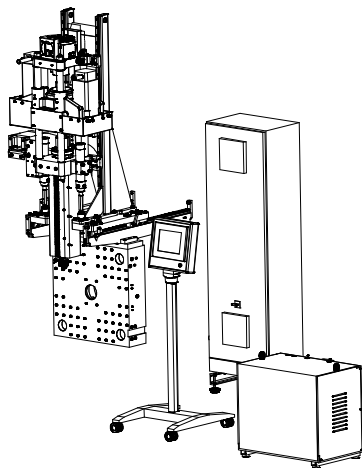
The stand-alone injection unit of FERROMATIK MILACRON is available in a vertical as well as in a horizontal version. It is a cost-saving and flexible entry into the world of multi-component injection consisting of the following:

- Fully-electric injection unit
- Central lubrication system
- Independent electrical cabinet with control modules and servo amplifiers
- Hydraulic unit for the movement of the injection unit
- MOSAIC operation terminal with 10.4" touch screen

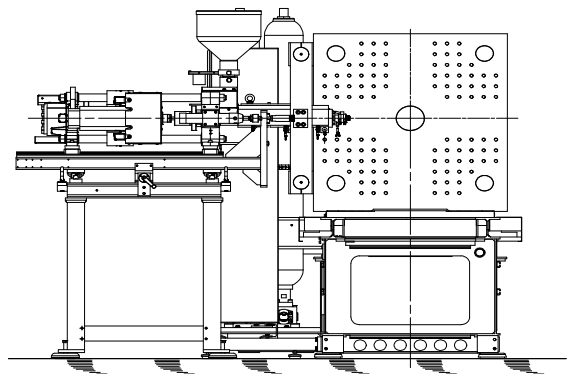
## TECHNICAL DATA

Stand-alone Injection Unit		Vertical V / Horizontal H									Horizontal H					
International Size		55 V / H			120 V / H			300 V / H			450 H			630 H		
Screw Diameter	mm	18	20	22	18	25	30	30	35	40	35	40	45	40	45	50
Injection Pressure max.	bar	2.500	2.345	1.939	2.500	2.016	1.400	2.500	1.943	1.488	2.445	1.985	1.569	2.494	1.970	1.596
Stroke Volume	cm <sup>3</sup>	19	24	29	31	59	85	113	154	201	173	226	286	251	318	393
Injected Weight max. (PS)	g	17	21	26	28	54	77	103	140	183	158	206	261	229	289	357
Injection Rate	cm <sup>3</sup> /s	52	64	78	52	101	145	117	159	208	159	207	262	207	262	324
Screw Speed	min <sup>-1</sup>	400			400			400			300			270		
Recovery Rate <sup>1)</sup>	g/s	3,2	4	5	3	9	13	18	25	32	21	30	32	27	32	38
Active Screw Length	L/D	22	21	19	20	20	20	22	22,9	20	22	22,8	20	22	22,2	20
Total Heating Capacity	kW	4,8	4,9	4,9	4,9	6,7	7,9	9,2	11,2	11,2	11,1	13,1	13,1	12,8	14,8	14,8

<sup>1)</sup> For PS with: 10s Cycle Time, 1,5 D Screw Stroke



Stand-alone injection unit in vertical position



Stand-alone injection unit in horizontal position

## ADVANTAGES

- More flexibility according to the varying production needs
- Retrofit is possible for almost any injection moulding machine
- User-friendly online help
- Fast installation and commissioning
- Energy-efficient injection unit of the ELEKTRA series